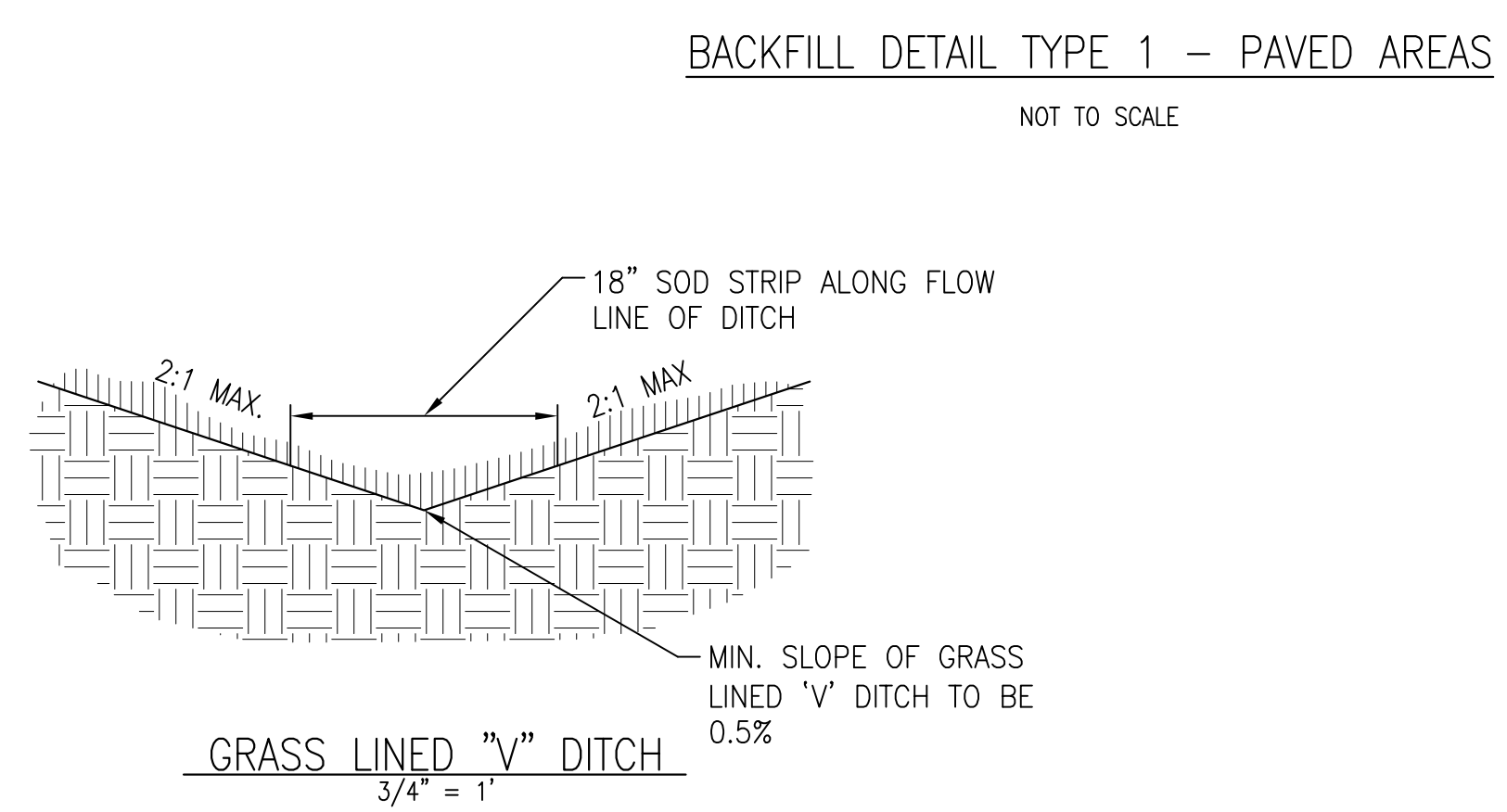
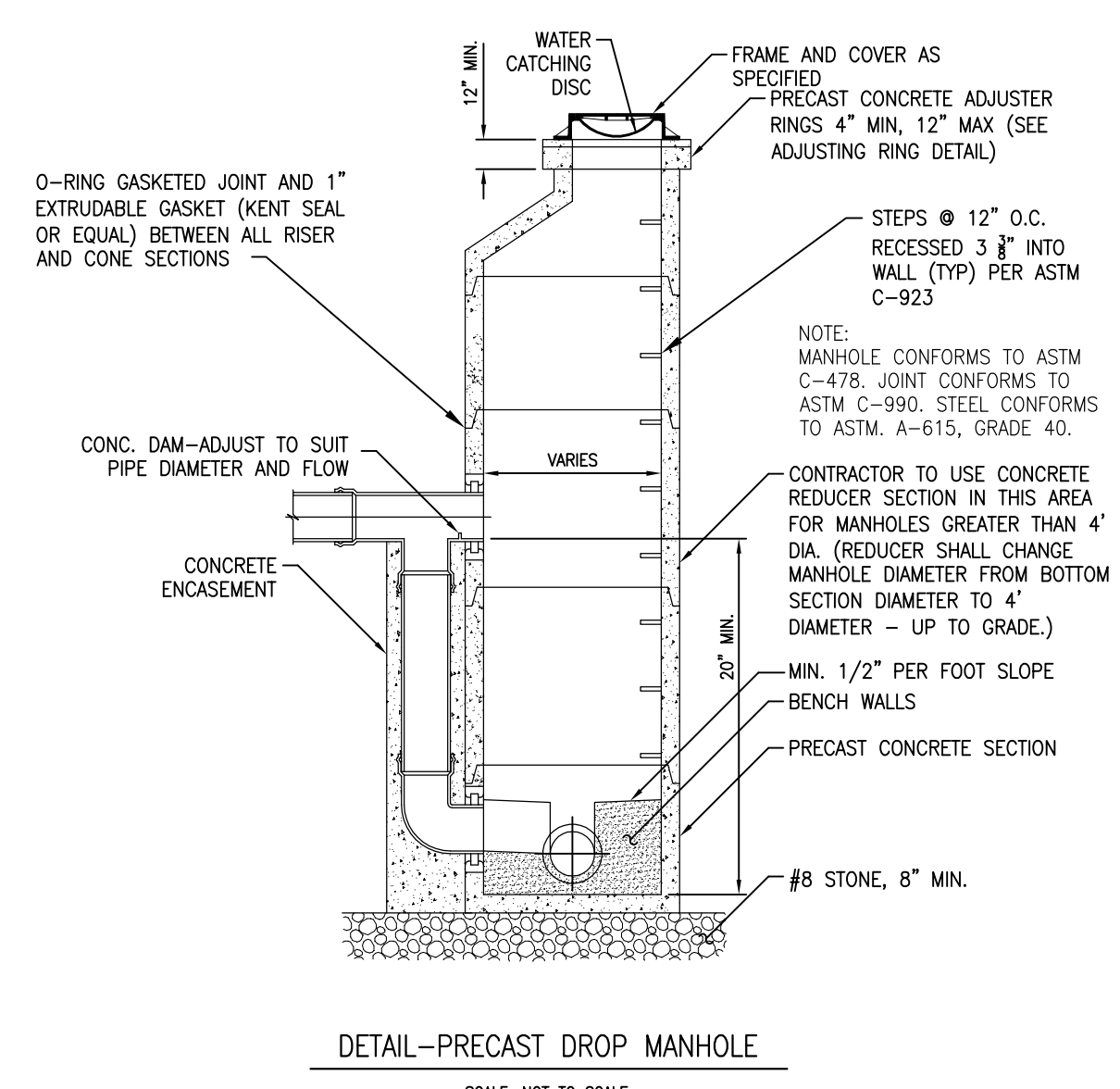
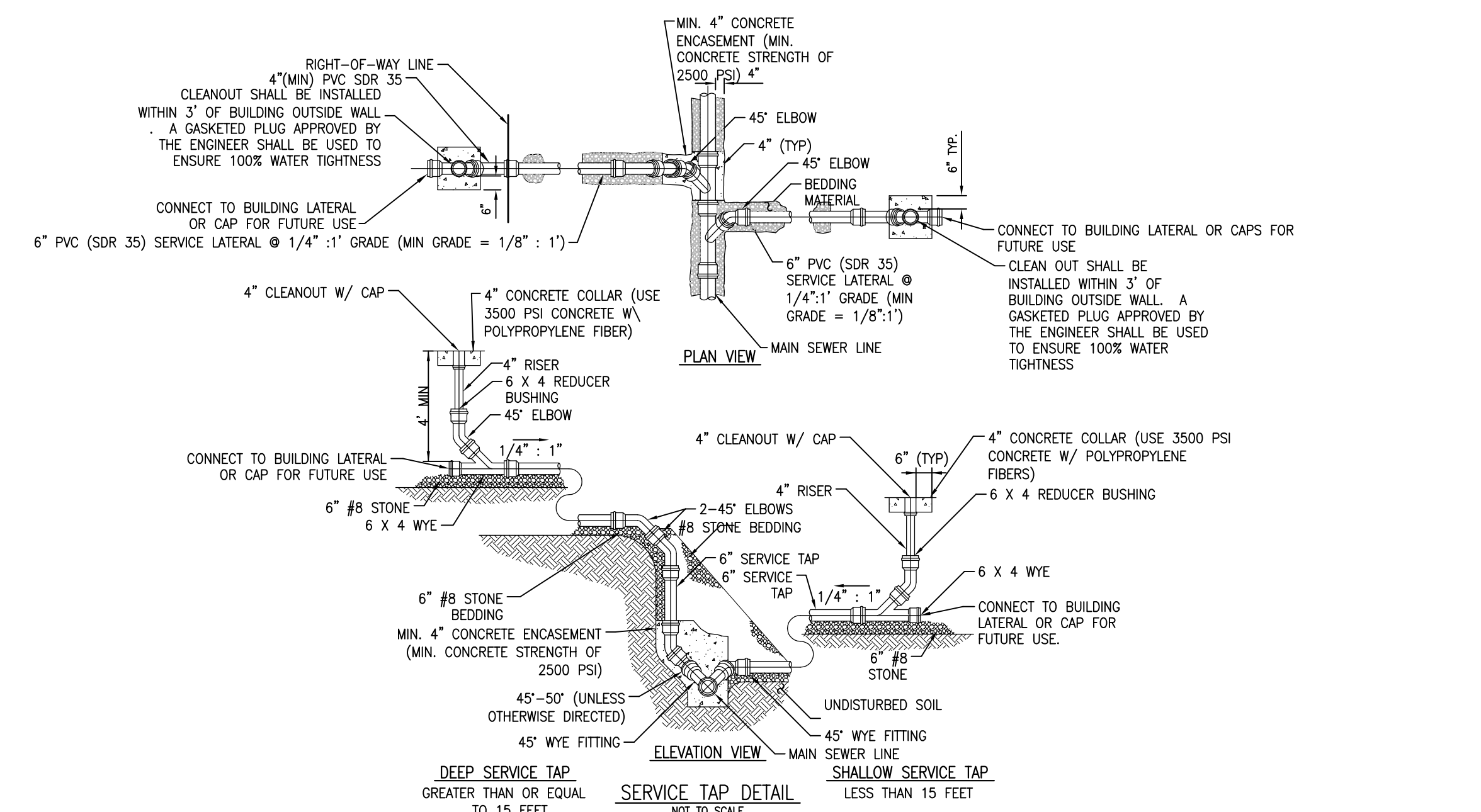


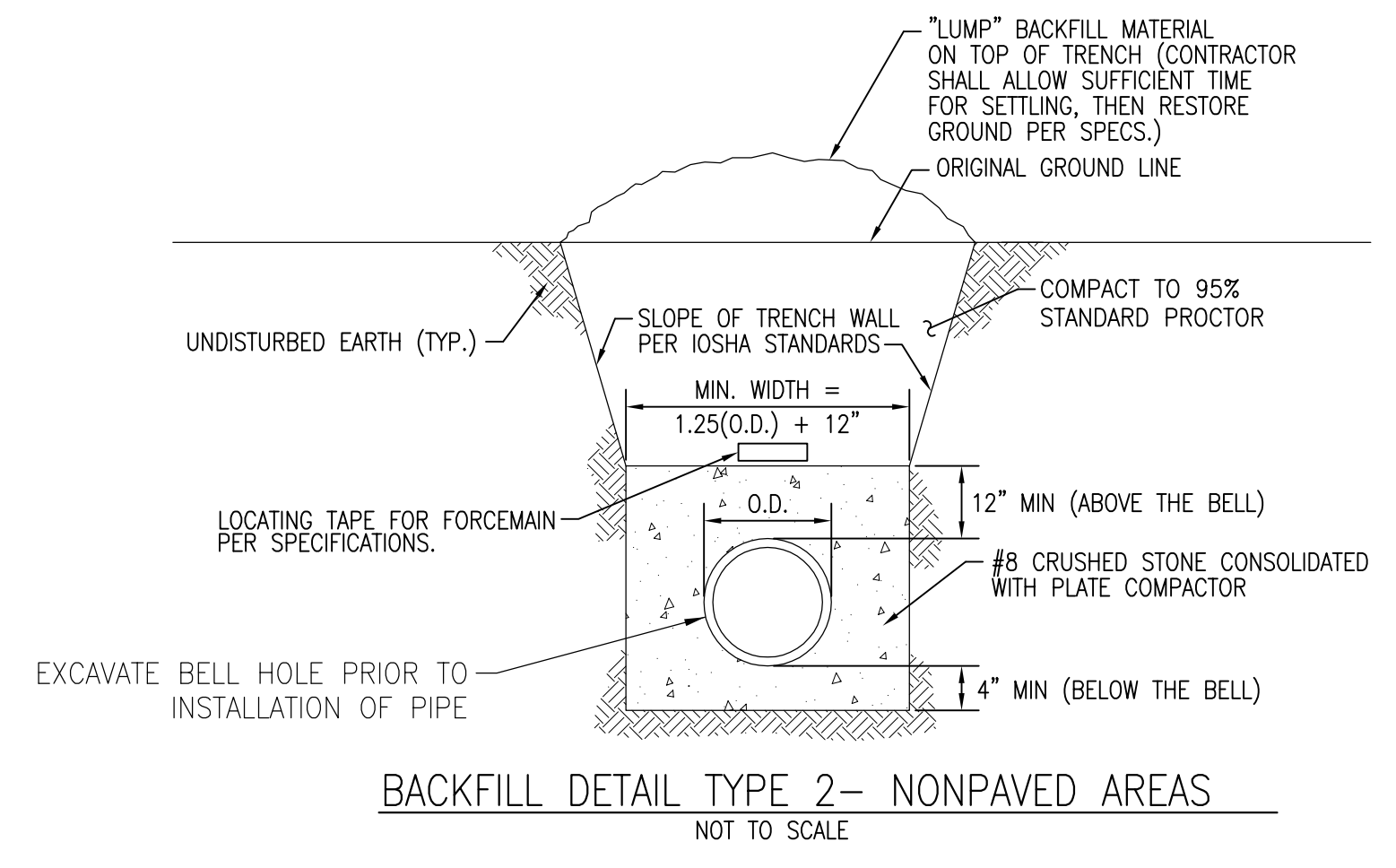
- NOTES:
- FINAL SAW CUT SHALL BE MADE A DISTANCE OF 12 INCHES BEYOND THE TRENCH. AFTER EXCAVATION AND BACKFILL ARE COMPLETE, AND IMMEDIATELY PRIOR TO PLACING CONCRETE.
  - CONCRETE CAP SHALL BE 8 INCHES THICK. IF THE EXISTING PAVEMENT SECTION IS LESS THAN 10 INCHES THICK. EXCAVATION OF UNDERLYING STONE BASE OR SOIL SUBGRADE WILL BE REQUIRED TO PROVIDE THE SPECIFIED THICKNESS.
  - TACK MATERIAL CONSISTING OF EMULSIFIED ASPHALT SHALL BE PLACED ON THE SURFACE OF THE CONCRETE CAP AT THE RATE OF 0.1 GALLON PER SQUARE YARD, AND ALLOWED TO "BREAK" PRIOR TO THE PLACEMENT OF THE BITUMINOUS CONCRETE SURFACE.
  - PAVEMENT JOINTS SHALL BE SEALED WITH AN APPROVED JOINT SEALANT AFTER PLACEMENT OF BITUMINOUS CONCRETE SURFACE.



**UTILITY LOCATES**  
CONTRACTOR SHALL CONTACT ALL UTILITY PROVIDERS PRIOR TO CONSTRUCTION FOR LOCATION OF THEIR FACILITIES.

HOLEY MOLEY SAYS, "DON'T DIG BLIND"

CALL TWO WORKING DAYS BEFORE YOU DIG!  
WITHIN INDIANA 1-800-382-5544  
FROM OUTSIDE INDIANA 1-800-428-5200



Revision	Date	Description	Detaild by	Chk'd by	Approved By

**HERITAGE ENGINEERING, LLC**

603 North Shore Drive  
Louisville, KY 40202  
(502) 361-3404

**HARRISON COUNTY REGIONAL SEWER DISTRICT**  
300 N. CAPITOL AVE.  
CORYDON, IN 47112

**HARRISON COUNTY REGIONAL SEWER DISTRICT**  
300 N. CAPITOL AVE.  
CORYDON, IN 47112  
DETAIL SHEET

JOB NO:  
HORIZ. SCALE: N/A  
VERT. SCALE: N/A  
DESIGNED BY: RLW  
DETAILED BY: JLW  
CHECKED BY: RLW  
DATE: DECEMBER 2006

SHEET  
**1**  
of 1